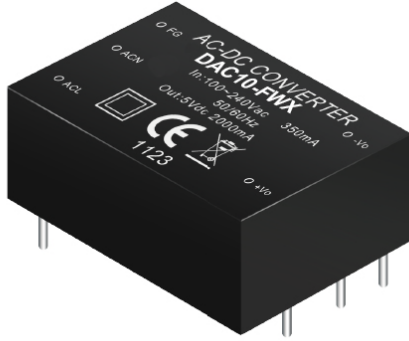




DAC10-FWX Series 10 Watt AC/DC Power Supply



Dual Output
 Isolated output 3000VAC
 Internal Input Filter
 Up to 80% Efficiency
 Encapsulated compact size 3" X2"
 EN62368-1, CE recognized
 ITE & AC Motor Applications
 3 year Warranty
 -DAC10-20: 5V, 5V - DAC10-21: 5V, 24V
 -DAC10-22:12V,12V - DAC10-23:15V, 15V
 -DAC10-24: 5V, 12V -DAC10-25: 5V,15V
 -DAC10-26: 24V,24V



		UNIT	
INPUT	Voltage/Freq	V	Universal Input voltage AC 90V ~ 264V 100~240 VAC 47 ~ 63Hz
	Current Typ. 110V 220V	A	
	Min. Load	-	20%
	Inrush Current	A	115V 10A (Ta=25°C, Io=100% at cold Start); 230V 20A (Ta=25°C, Io=100% at cold Start)
	Line Frequency	Hz	47 ~ 63 Typ. 50/60

		UNIT	DAC10-20FWX	DAC10-21FWX	DAC10-22FWX	DAC10-23FWX
OUTPUT	Nominal Voltage	VDC	+/- 5	+5 /+24	+/- 12	+/- 15
	Efficiency typ	%	75	75	75	75
	Current	A	+/- 1.0	+1.2/+ 0.2	+/- 0.5	+/- 0.4
	Transient Recovery time	us	Vi nom, Io nom = 0.5 Io nom Typ. 1000us			
	Line Regulation	%	+/-1%	+/-1%	+/-1%	+/-1%
	Load Regulation	%	+/-5%	+/-5%	+/-5%	+/-5%
	Ripple Noise 20MHz BW full load	mVp-p	100	100/150	150	150
	Voltage Accuracy	%	5	5	5	5
	Over Load Protection	-	Above 110% rated output power Auto Recovery			
	Short Circuit Protection	-	CONT. Auto Recovery			
Over Voltage Protection		120%-150% rated output Voltage	Protection type: Zener diode clamp			





		UNIT	DAC10-24FWX	DAC10-25 FWX	DAC10-26FWX	
OUTPUT	Nominal Voltage	VDC	+5/+12	+5 /+15	+/-24	
	Efficiency typ	%	74	74	77	
	Current	A	+1.5/+0.2	+1.2/+ 0.2	+/- 0.25	
	Transient Recovery time	us	Vi nom, lo nom = 0.5 lo nom Typ. 1000us			
	Line Regulation	%	+/-1%	+/-1%	+/-1%	
	Load Regulation	%	+/-5%	+/-5%	+/-5%	
	Ripple Noise 20MHz BW full load	mVp-p	100/150	100/150	240	
	Voltage Accuracy	%	5	5	5	
	Over Load Protection	Above 110% rated output power Auto Recovery				
	Short Circuit Protection	CONT. Auto Recovery				
Over Voltage Protection	120%-150% rated output Voltage Protection type: Zener diode clamp					

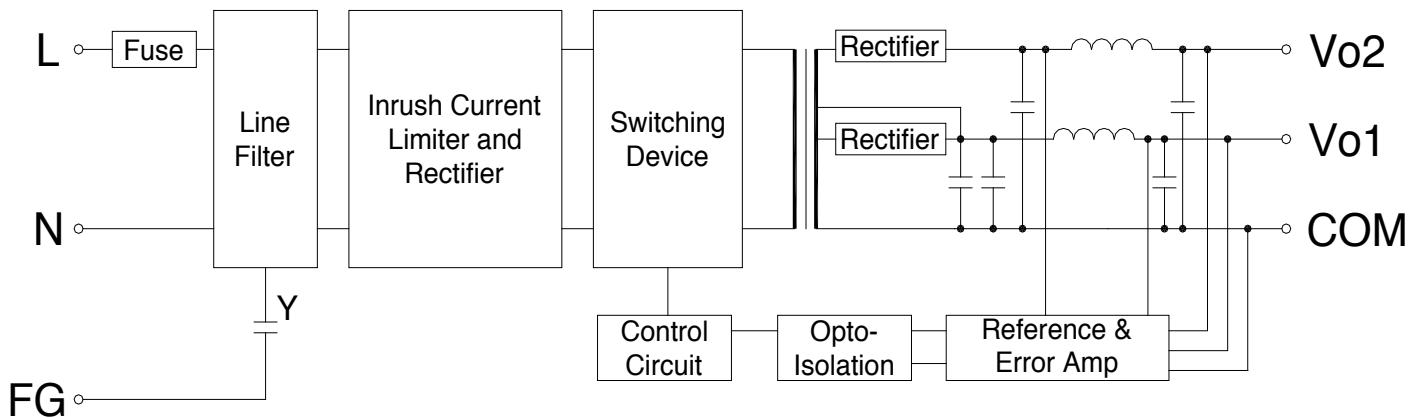
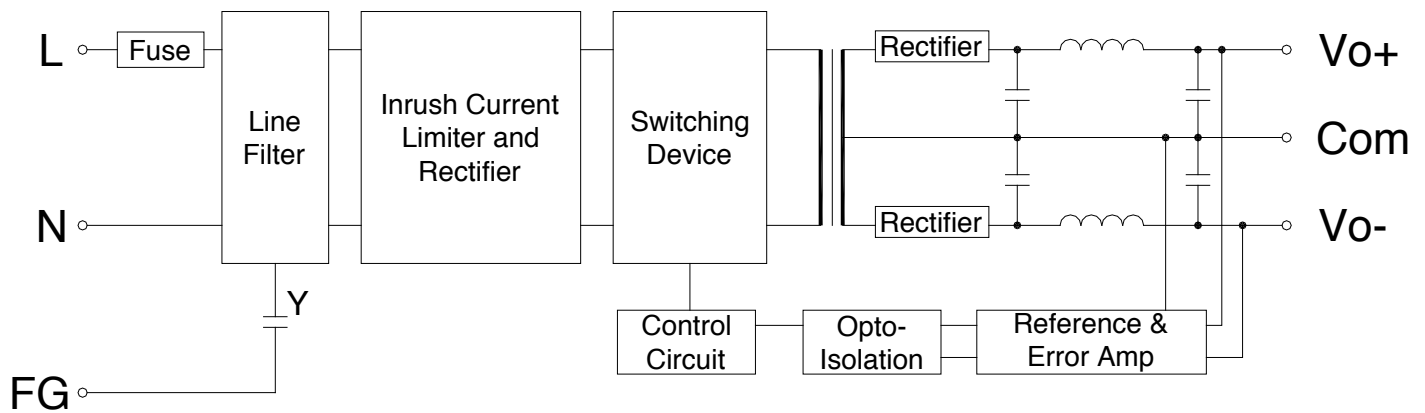
	Switching Frequency	Typ. 65 KHz
Isolation	Isolation Voltage	Input / Output 3KVac/ 5mA/5Secs
	Isolation Resistance	Input / Output, @500 Vdc 100MΩ
Environment	Operating Temp/Hum.	-20~ +70
	Storage Temp/Hum.	-40 ~ +85 HUMIDITY 95% 5RH%
	Derating	Vi nom, lo nom+51 to 71°C 2 %/°C
Safety	CE EMI Conduction & Radiation	Compliance to EN55022
	EMS Immunity	Compliance to EN55024
Size	MM	L63.50x W44.45 x H19.05mm or L2.5x W1.75 x H0.75 inches





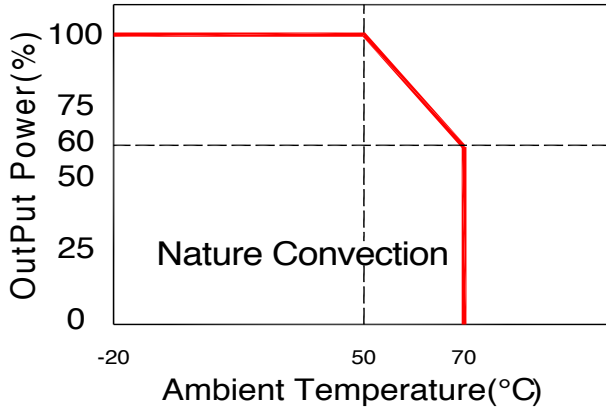
BLOCK DIAGRAM

Dual Output





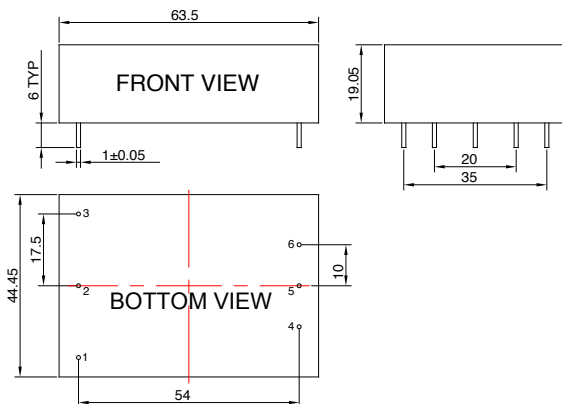
OUTPUT DERATING CURVE AND RECCOMENDED MOUNTING DIAGRAM



Terminal Output

PIN	Model		
	Single	Dual	Dual
1	FG	FG	FG
2	ACN	ACN	ACN
3	ACL	ACL	ACL
4	-Vo	-Vo	+Vo2
5	NO PIN	COM	COM
6	+Vo	+Vo	+Vo1

DIMENSIONAL DRAWING (mm)



Unit: mm Unless otherwise specified, all tolerances are ± 0.5

